

# EAGLE-TA-B-3T20W

Industrial PoE Fanless Embedded PC

Version: 3.0



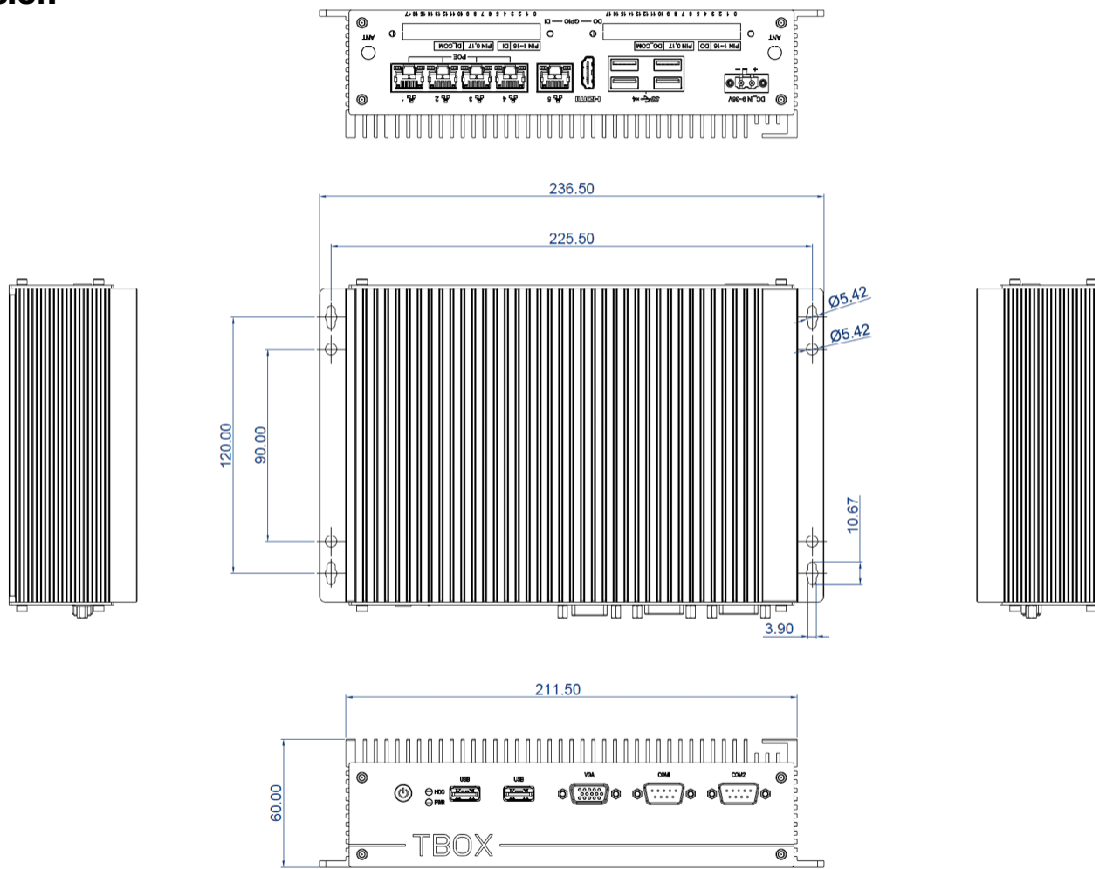
## Features:

- Support Intel 11<sup>th</sup> Gen. Tiger Lake UP3 Core i5-1135G7 processors;
- 1\* DDR4 memory socket, max. up to 32GB;
- 1\* M.2 2280 (PCIe x4 NVMe), and 1\* 2.5" SATA Storage;
- Two independent displays: 1\* HDMI, 1\* VGA;
- DC 9-36V input, with over-current, over-voltage, polarity protection;
- 5\* GLAN (4\* PoE), 4\* USB3.0, 2\* USB2.0, 2\*COM;
- 1 Mini-PCIe slots for expansion;
- Industrial -20 ~ + 60°C operating temperature range.

## Specification

<b>System</b>	BIOS	SPI AMI EEI BIOS
	CPU	Intel Core i5-1135G7
	CPU Ghz	Quad-core 2.4Ghz
	TDP	15W
	Memory	SO-DIMM, DDR4-2666/2933/3200 MT/s, Max. up to 32GB
	Storage	1* M.2 2280 (PCIe *4 NVMe), Optional support 1* 2.5" SATA3.0
	Graphic	Intel Iris Xe Graphic
	Network	5* Intel I210AT (Optional 3G/4G/Wi-Fi/BT)
	Audio	N/A
	Expansion	1* Full length Mini-PCIe expansional slot
Watchdog	0 - 256 seconds programmable	
Operating system	Win10, Win11, Linux	
<b>IO interface</b>	Serial port	COM1: RS232; COM2: RS485
	Ethernet	5* RJ45, 10/100/1000 Mbps, LAN 1- LAN 4 support PoE 802.3 AF (Single port max. up to 15.4W, total less than 45W); LAN 5 support standard 10/100/1000 Mbps
	Audio	No
	USB	4* USB3.0, 2* USB2.0
	Display	1* HDMI, 1* VGA
	Power input	1* 2 pins, Phenix terminal
	GPIO (Optional)	32* GPIO (16* DI, 16* DO, with isolated) [EAGLE-TA-B-3211 Model]
<b>Structure</b>	Box structure and surface	Aluminum alloy, anodizing and anti-scratch treatment
	Color	Black + Silver
	Mount method	Desktop, wall mount
	Cooling system	Big area aluminum heatsinks, copper tube inside, fanless design
	Indicator & Button	Power switch, Power LED, HDD LED, remote switch
	Dimension	236.5 * 150 * 60 (mm)
	Net weight	About 1.60 KG
<b>Power &amp; Environmental</b>	Operating temp.	-20 ~ + 70 °C
	Storage temp.	-40 ~ + 80 (°C)
	Humidity	10 - 95% @ 40C (No condensation)
	Vibration	50 - 500 Hz, 1.5G, 0.15mm peak to peak
	Shock	10 G/Peak (11 ms)
	Power input	DC 9-36V
	EMC	CE/FCC Class A

**Dimension**



DIMENSIONS IN MILLIMETERS



**Ordering information**

Part no.	Description
EAGLE-TA-B-3T20W	Intel Core i5-1135G7, 1*HDMI, 1*VGA, 5*RJ45, 4*USB3.0, 2*USB2.0, 1*RS232, 1*RS485, DC 9 ~36v, PSU
EAGLE-TA-B-3T20DW	Intel Core i5-1135G7, 1*HDMI, 1*VGA, 5*RJ45, 4*USB3.0, 2*USB2.0, 1*RS232, 1* RS485, 32 DIO, DC 9 ~ 36v, PSU
Memory	SO-DIMM, DDR4, <u>4GB/8GB/16GB/32GB</u>
Storage	M.2 NVMe SSD: <u>64GB/128GB/256GB/512GB</u>
	2.5" SATA SSD: <u>64GB/128GB/256GB/512GB/1TB</u>
	2.5" HDD: <u>1TB/2TB/4TB</u>
Wireless expansion	Wi-Fi module, with Antenna
	Wi-Fi module with BT integrated, with antenna
	All network 4G module, with Antenna

**Packing List**

■ 1 unit standard Product
■ 1 set 60W PSU (Power supply)
■ 1 set Power Cable & Plug