

EAGLE-TA-B-2415W

Rugged Intel Industrial Box PC

Version: 1.0



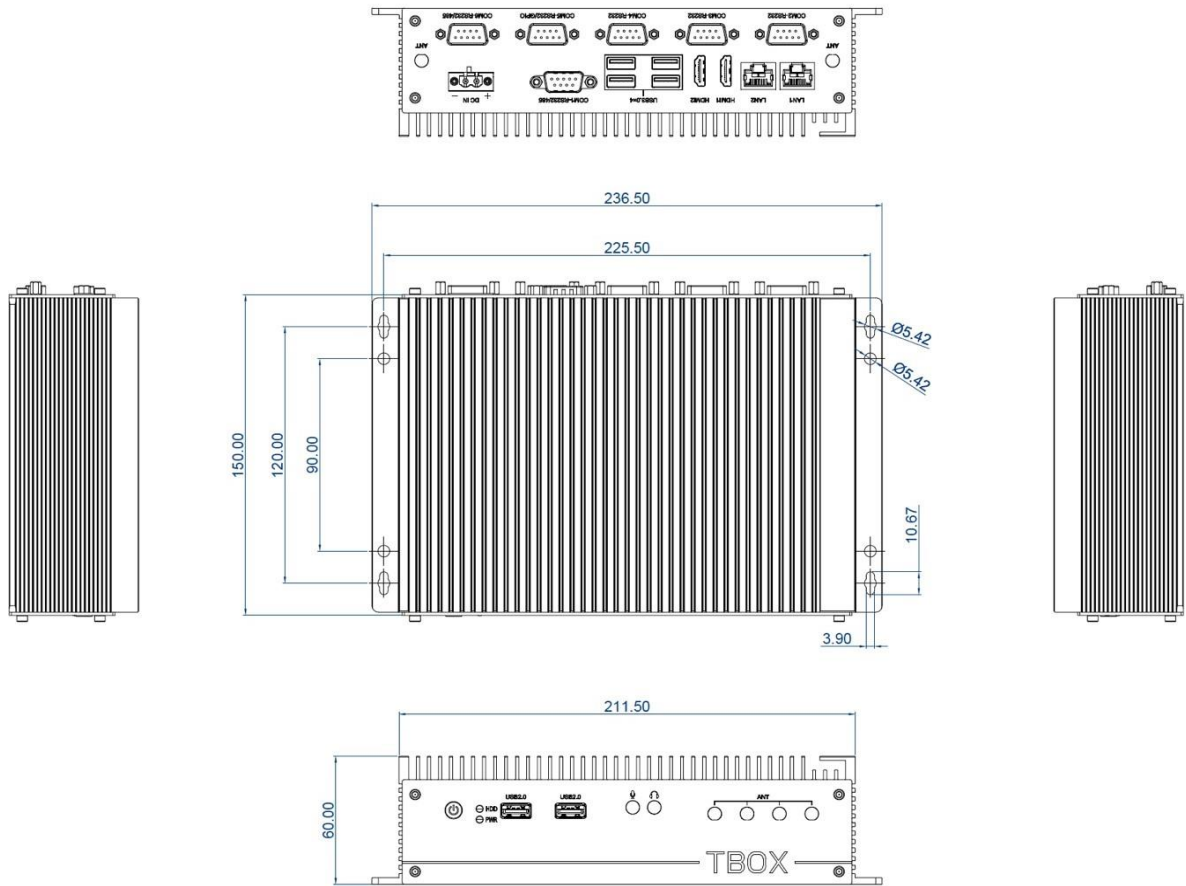
Features:

- Rugged & compact, fanless designed box structure;
- On-board Intel Apollo Lake J3455 Quad-core processor;
- Single DDR3L memory, up to 8GB, 1* M.2 and 1* 2.5" SATA storage;
- Wide voltage DC 9-36V input;
- 2 GLAN, Dual wireless expansion 4G/5G, WIFI/BT support;
- 6 USB (4 USB3.0), 6 COM (optional GPIO), 2 HDMI;
- Industrial -20 ~ + 70°C operating range, optional -40~+80 °C.

Specification

System	BIOS	SPI AMI EEI BIOS
	CPU	Intel Apollo Lake J3455
	CPU Ghz	Quad-core 1.5Ghz, burst to 2.3Ghz, TDP 10W
	TPM	Intel PTT TPM2.0
	Memory	SO-DIMM, DDR3L-1333/1600/1888 MHz, Max. up to 8GB
	Storage	1* M.2 2242 Key-B (SATA) SSD, 1* 2.5" SATA
	Graphic	Intel UHD Graphics 500
	Network	2* Intel I210AT LAN chip, Optional WIFI+BT (M.2 2230), 4G/5G (M.2 3042/3052)
	Audio	On-board Realtek ACL 662 Audio controller
	Expansion	1* M.2 Key-B 3042/3052 slot, 1* M.2 Key-E 2230 slot
	Watchdog	0 - 256 seconds programmable
	Operating system	Win10 /Win11, Linux
	IO interface	Serial port
Ethernet		2* RJ45, 10/100/1000 Mbps
Audio		Optional Mic-in/Line-out
USB		4* USB3.0 + 2* USB2.0
Display		2* HDMI (Max. support 4096 * 2160 @30Hz)
Power input		1* 2 pins, Phenix terminal
Optional		8* GPIO (DB9)
Structure	Box structure and surface	Aluminum alloy, anodizing and anti-scratch treatment
	Color	Silver
	Mount method	Desktop, wall mount
	Cooling system	Finned aluminum heatsinks
	Indicator & Button	Power switch, Power LED, HDD LED
	Dimension	236.5 * 150 * 60 (mm)
	Net weight	About 1.6 KG
	Power & Environmental	Operating temp.
Storage temp.	-40 ~ + 80 °C	
Humidity	10 ~ 95% @ 10C (No condensation)	
Vibration	50 ~ 500 Hz, 1.5G, 0.15mm peak to peak	
Shock	10 G/Peak (11 ms)	
Power input	DC 9-36V	
Power consumption	About 20W	
EMC	CE/FCC Class A	

Dimension



DIMENSIONS IN MILLIMETERS

Ordering information

Part no.	Description
EAGLE-TA-BOX-2415W	Intel Apollo Lake J3455, 2 RJ45, 4 USB3.0, 2 USB2.0, 6 COM, 2 HDMI, DC 9-36V, No PSU by default
Memory	Memory: SO-DIMM, DDR3L, <u>4GB/8GB</u>
Storage	M.2 SATA SSD: <u>128GB/256GB/512GB</u> 2.5" SATA SSD: <u>128GB/256GB/512GB/1TB</u> 2.5" HDD: <u>2TB/4TB</u>
Wireless Modules	Wi-Fi module, with Antenna (M.2 interface) Wi-Fi module with BT integrated, with antenna (M.2 interface) All network 4G module, with Antenna (M.2 interface) 5G module, with antenna (M.2 interface)
Power Supply	PSU for EAGLE-TA-B-2415W (If needed)

Packing List

■ 1 unit standard Product
■ 1 set 40W PSU (Power supply)
■ 1 set Power Cable & Plug