

BAT12Wh (Li-Ion)



- Maintenance free Li-Ion technology
- Hi-Tech Power Boost for Out: 12 or 24 V 12Wh
- Protection: Over-current, Over-voltage, Over-charge, Deep-discharge, Short circuit
- Balance Cell Function
- High reliability : Long-life battery pack
- Auto Testing for the battery State
- ADELBus "CAN" connection
- Manual Power Off Switch
- Multicolor Indicator
- IP20, Din Rail and Wall Mount

Feature

Battery Bank for DC-UPS "All In One". Lithium-ion technology, maintenance-free. For 12V or 24V field. Simple connection with screw terminals for Wall mount or DIN rail. The device integrates CAN protocol communication to transfer and receive all data in ADELBus field.

Technical Data

Nominal Input Voltage	12 or 24 VDC
Automatic determination of input voltage	At first power-up
Max Charging Voltage	28 Vdc
Internal Protection Fuse	7.5 A
External Protection Fuse (recommended)	10 A
Output Short Circuit and Overload	Automatic Protection
Communication	CANopen

Battery

Battery Type	2 cells Li-Ion, 2 Ah
Battery Voltage	3.7 Vdc
Energy	12Wh
Life Cycle	1500 charge cycles (50°C)
Typical Charging Time (recover to 90% capacity)	30 min
Battery Protection	Deep Discharge, Over-charge, Short Circuit protection

12V system "DC Output"

Output Voltage	12 Vdc ± 5%
Max. Power	72 W

12V system "Charging Data"

End-of-charge	35 mA
Absorption charging current (Max.)	0.3 A

12V system "Discharging Data"

Battery disconnection from CBI	< 11 VDC
Nominal Discharging current	5 A
Max. permissible Discharging current	6 A
Self-discharge rate at 20 °C	35uA (typ) 1.5% x month

24V system "DC Output"

Output Voltage	24 Vdc ± 5%
Max. Power	72 W

24V system "Charging Data"

End-of-charge	35 mA
Absorption charging current (Max.)	0.3 A

24V system "Discharging Data"

Battery disconnection from CBI	< 23 VDC
Nominal Discharging current	2.5 A
Max. permissible Discharging current	3 A
Self-discharge rate at 20 °C	35uA (typ) 1.5% x month

Indicators and Command

LED Charge ON	Battery Charging
LED Charge OFF	Not Charging
LED Battery State ON "Green"	Batt. Capacity > 90%
LED Battery State Constant Flashing "Green"	Battery Charging
LED Battery State OFF	Low Battery
LED Battery State "Red"	Fault
Push Button to turn ON and OFF the Battery Bank	Press for 1 sec. Release the button

General Data

Protection Degree (EN/IEC 60529)	IP 20
Protection Class	III
Screw type terminals:	0.2 - 2.5 mm ² (24 - 12
Torque:	AWG) 0.6 - 0.8 Nm

Dimension (WxHxD)	54 x 90 x 61 mm
Surge Protection	1.5 KV
Weight	0.4 kg
DIN Rail	Yes
Wall mount	Yes

Climatic Data

Operating ambient temperature	-30 ... 55 °C
Recommended storage temperature	25 °C ± 5%
Recommended storage charge level	80 %
Humidity at 25 °C, no condensation	95 %

Norms and certifications

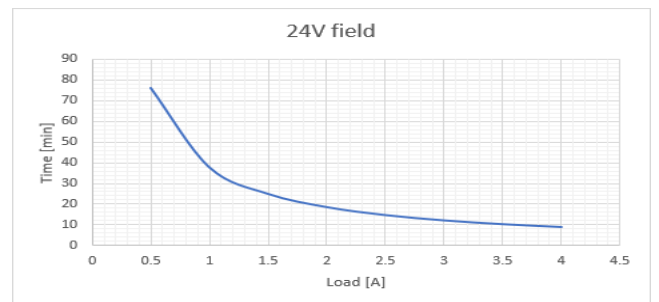
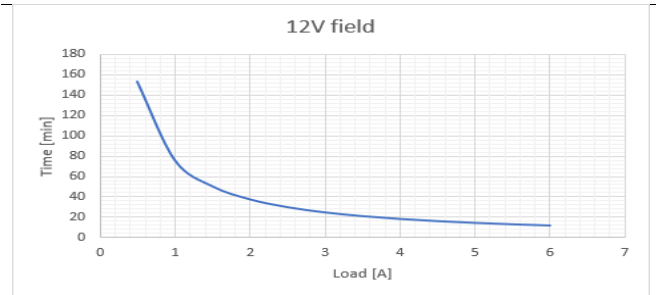
CE marking according to EMC Directive 2014/30/UE and Low Voltage Directive 2014/35/UE.

Electrical Safety

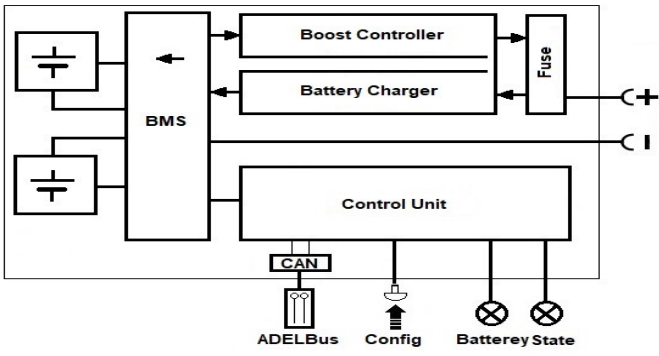
In compliance with UL508, EN IEC 61010-2-201:2018
According to EN 60950-1/VDE 0805 (SELV) and EN 50178/VDE 0160 (PELV).
EN IEC 62368-1: 2014/AC:2015

Buffering time

Load	Minutes (12V)	Minutes (24V)
Load 0.5 A	154	58
Load 1 A	76	31
Load 1.5 A	51	20
Load 2 A	38	15
Load 2.5 A	30	12
Load 3 A	25	10
Load 3.5 A	21	-
Load 4 A	18	-
Load 4.5 A	16	-
Load 5 A	15	-
Load 5.5 A	13	-
Load 6 A	12	-



Electrical Diagram



Mounting instruction

