

EAGLE-TA-DCS121A1W

12.1" XGA Apollo Lake J3455 Pcap. Panel PC

Version: 3.1



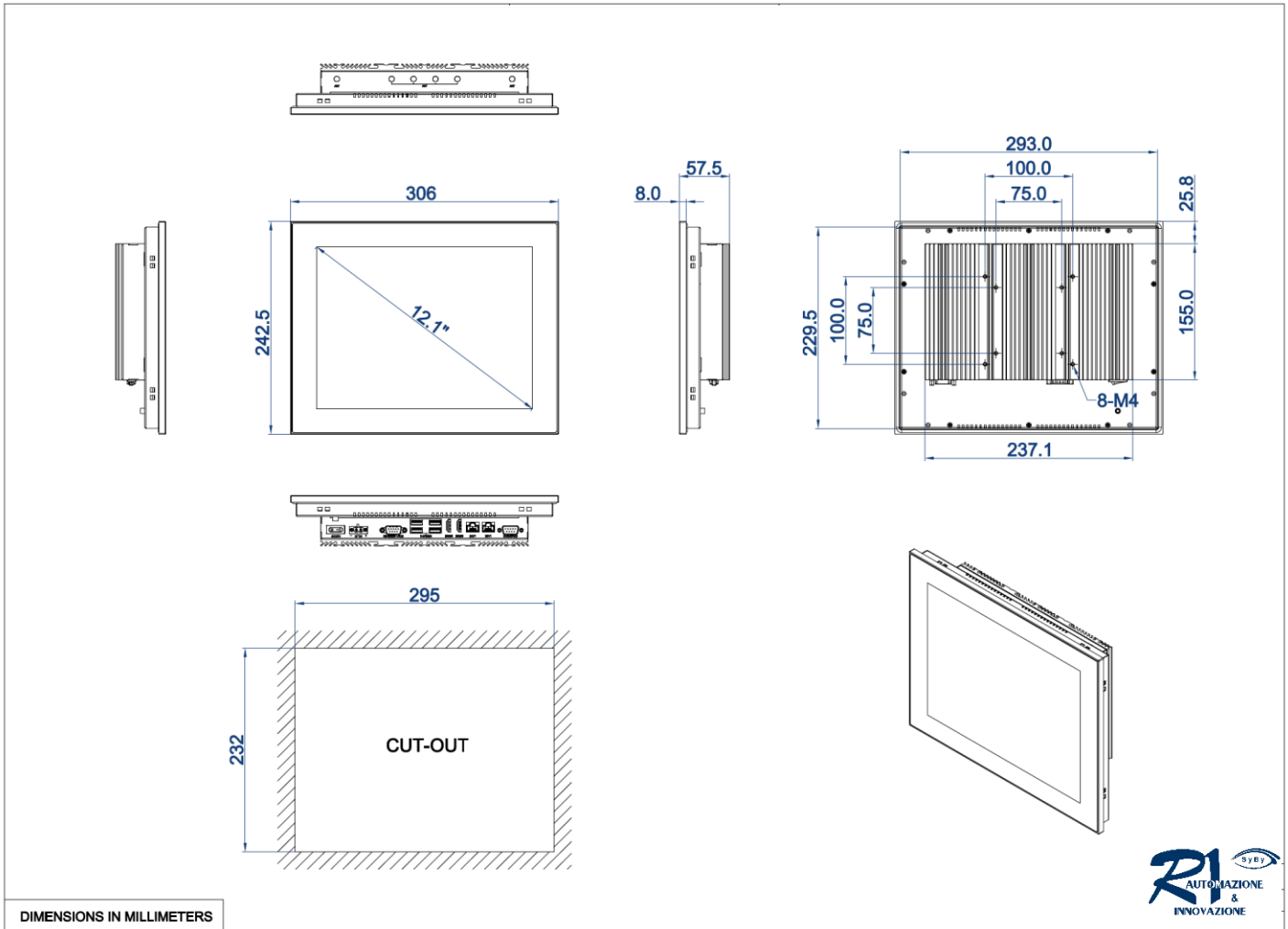
Features

- 12.1" TFT LCD display, LED Backlit, XGA 1024 *768;
- Intel Apollo Lake Celeron J3455 processor, Quad-core 1.5Ghz;
- Multi-points (Max. up to 10 points) Projective capacitive touch, EETI controller;
- Aluminum-magnesium alloy, anodized treatment, Modular designed;
- DC 9~36V power input;
- IO: 2*GLAN, 4*USB3.0, 2*COM (DB9), 2*HDMI;
- Intel PTT TPM2.0, support Windows 11;
- Fan-less & Slim design, Panel mount, VESA, Front IP65 protection.

Specification

| | | |
|----------------------------------|-----------------------|---|
| Hardware & System | BIOS | SPI AMI EFI BIOS |
| | CPU | Intel Apollo Lake J3455. Quad-core 1.5Ghz. burst to 2.3Ghz |
| | Memory | SODIMM. Support DDR3L 1333/1600/1866 MHz. Max. up to 8GB |
| | Storage | 1* M.2 2242 Key-B (SATA) SSD |
| | Graphic | Intel UHD Graphics 500 |
| | Network | 2* Intel I210AT GBE LAN chip (Optional wireless 3G/4G, 5G, Wi-Fi/BT, Wi-Fi 6) |
| | Audio | On-board Realtek AC1 662 audio controller |
| | Expansion | 1* M.2 Key-B 3042/3052 slot. 1* M.2 Key-E 2230 slot |
| | Watch dog | 0~256 seconds programmable |
| | OS | Win10, Win11, Linux, Ubuntu |
| IO interface | COM | 2*RS232 (Default). Optional 1* RS485 or 8*GPIO |
| | Ethernet | 2* RJ45. 10/100/1000 Mbps |
| | Audio | No |
| | USB | 4x USB3.0 |
| | Display | 2x HDMI |
| | Power | 1x 2 pins. phenix terminal |
| | LCD Display | Size/Type |
| Resolution | | 1024 * 768 (XGA) |
| Brightness | | 350 nits |
| Backlit & Lifetime | | LED backlit & 50 000hours |
| Display area | | 245.76 * 184.32 |
| View angle | | 80/80/80/80 |
| Touchscreen | Type | Projective capacitive touchscreen |
| | Touch points | Multi points touch. max. up to 10 points |
| | Durability | >100 000 000 times |
| | Surface hardness | Mohs 6H |
| | Special treatment | Anti-fingerprint (AF) |
| Structure | Structure and surface | Magnesium-Aluminum alloy sand blasting anodized treatment |
| | Mount method | Panel mount, VESA 75/100 |
| | Cooling system | Large area finned heat sink |
| | Overall dimension | 306.0 * 242.5 * 57.5 (mm) |
| | Cut-out dimension | 295 * 232 (mm) |
| | Net weight | 3.5 KG |
| | IP protection | Front Panel IP65 |
| | | |
| Power & Environmental | Operating temp. | -20 ~ +70°C |
| | Storage temp. | -30 ~ +80°C |
| | Relative Humidity | 10 ~ 95% @ 10C (Non-condensation) |
| | Vibration | 50 ~ 500 Hz. 1.5G. 0.15mm peak to peak |
| | Shock | 10G/Peak (11 ms) |
| | Power input | Optional DC 9~36V |
| | Power consumption | Around 30W |
| | EMC | CE/FCC Class A |

Dimension



Ordering info.

| Part no. | Description |
|--------------------|---|
| EAGLE-TA-DCS121A1 | 12.1", 1024 * 768, Celeron J3455, Quad-core 1.5Ghz, Pcap. touch, 2*GLAN, 4*USB3.0, 2*COM, 2*HDMI, DC 12V, PSU |
| EAGLE-TA-DCS121A1W | 12.1", 1024 * 768, Celeron J3455, Quad-core 1.5Ghz, Pcap. touch, 2*GLAN, 4*USB3.0, 2*COM, 2*HDMI, DC 9~36V, No PSU by default |
| Memory | SO-DIMM, DDR3L, 4GB/8GB Memory |
| Storage | M.2 SSD: 128GB/256GB/512GB |
| Wireless Modules | Wi-Fi module, with Antenna (M.2 interface) |
| | Wi-Fi with BT integrated module, with Antenna (M.2 interface) |
| | All network 4G/LTE module, With Antenna (M.2 interface) |
| | 5G module, with Antenna (M.2 interface) |
| Power supply | Optional PSU for TPC-DCS121A1W |
| SIM Card module | Sim Card slot for 3G/4G/5G wireless function |

Packing List

| |
|------------------------------|
| ■ 1x Standard Product |
| ■ 1x 60W PSU (Power Supply) |
| ■ 1x Power cable & Plug |
| ■ 8x Panel mount metal clips |